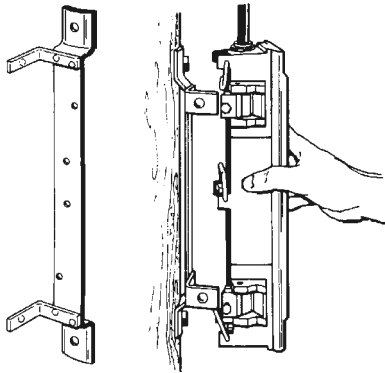
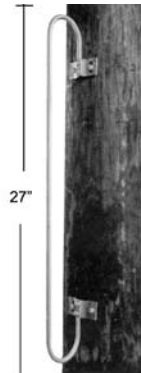


# W3 & BUP Series Mounting Brackets

■ Outside Plant for Business-Critical Continuity



**P15182 and P25281**



**R51B**



**BUPWM1**  
Wall-Mount Bracket for 25 and 50-Pair Closures



**BUPPM1**  
Pole-Mount Bracket for 25 and 50-Pair Closures

## Ordering Information

Catalog Number	Part Number	Description
<b>Aluminum Brackets</b>		
P15182	F515182	6, 12, and 18 protected pair, 18 unprotected, 11.25" mounting centers
P25281	F525281	6 and 12 unprotected pair, 8.70" mounting centers
R51B	F005190	Hanger bracket 27" long
<b>Metal Brackets</b>		
BUPPM1	F019742	Pole-mounting bracket for 25 and 50-pair BUP & BUPNP1
BUPPM2	F019738	Pole-mounting bracket for 100-pair BUP & BUPNP2
BUPPM3	F019739	Pole-mounting bracket for BUPNP3 and BET19
BUPWM1	F019741	Wall-mounting bracket for 25 and 50-pair BUP
BUPWM2	F019735	Wall-mounting bracket for 100-pair BUP

**NOTE:** Aluminum brackets mount the C2 cable and W3 wire terminal closure to poles or building walls.

### Emerson Network Power.

The global leader in enabling business-critical continuity.

- AC Power
- Embedded Power
- Precision Cooling
- Connectivity
- Monitoring
- Racks & Integrated Cabinets
- DC Power
- **Outside Plant**
- Services
- Embedded Computing
- Power Switching & Controls
- Surge Protection

Emerson Network Power Energy Systems  
4350 Weaver Parkway, Warrenville, IL 60555  
Toll Free: 800-800-1280 (USA and Canada)  
Telephone: 440-246-6999 Fax: 440-246-4876  
EmersonNetworkPower.com/OSP

© 2007 Emerson Network Power Energy Systems, North America, Inc. All rights reserved.

The Emerson logo is a trademark and a service mark of Emerson Electric Co. Emerson Network Power is a division of Emerson Electric Co.

Printed in USA

