

CHLORIDE

Secure Power Always

Linear Plus-T 6 kVA and 10 kVA



Uninterruptible Power Supply

Linear Plus-T 6 kVA and 10 kVA

Chloride's Linear Plus-T family is available in 6 kVA and 10 kVA single-phase output tower units. Incorporating modern double conversion technology, an attractive design and multiple system integration capabilities, the Linear Plus family offers the most efficient all-round protection against all types of disturbances and problems in the mains supply system.

Leading Technology

Linear Plus-T uses double conversion technology to provide a secure power architecture for your mission critical applications. This option ensures the highest level of voltage and frequency regulation and may be the only practical alternative for environments where the quality of the mains electricity is low.

Low-impedance isolation transformer at output:

An output transformer installed inside the cabinet makes it possible to:

- Set the nominal output voltage at 120/208/240 Volt
- Provide power conditioned protection to the loads
- Protect equipment from surges and noise
- Ensure clean ground reference.

Paralleling

Up to three Linear Plus-T UPS can be paralleled for capacity and redundancy, increasing the supported equipment's overall reliability and availability.

Scalable autonomy

Easily replaceable batteries allow the simple swap out of batteries without interruption to the secured system. UPS runtimes can be expanded by adding extra battery cabinets.

Control panel

Linear Plus-T shall be equipped with a control panel comprising of a four language LCD display for complete UPS monitoring and control. The text shall be available in English, German, Portuguese and Spanish.

Complete access to all LCD menus is possible through navigation push buttons located below the screen.

LIFE.net Monitoring

The Linear Plus family is fully compatible with LIFE.net, Chloride's remote monitoring tool. LIFE.net is the nearest thing to having a Chloride engineer permanently onsite and provides:

- Continuous real-time UPS monitoring
- Automatic transmission of daily status reports

- Real-time diagnosis of all UPS operating parameters
- Remote fix capability
- Monthly UPS operational status reports
- Unique ETS function for trouble shooting the most common operating anomalies
- Power quality monitoring to effectively manage power disturbance trends.

Communication interface

The Linear Plus series shall be equipped with a standard COM interface (RS232) and a slot bay for optional connectivity cards.

Available interface cards to be fitted in the slot include:

- SNMP-Adapter (ManageUPSNET) for connecting the device to a network
- LIFE.net adapter for remote monitoring
- Voltage-free contact adapter.

Users are advised to follow carefully the installation guidelines enclosed with the accessories.

Applications

- Network & VoIP Protection/departmental information systems in decentralised environments

- Medical Equipment, IT Systems, diagnostic equipment, clinical laboratories and monitoring support systems
- Industrial environments such as process control equipment
- LAN /WAN Servers & IT rooms
- Bank branches.

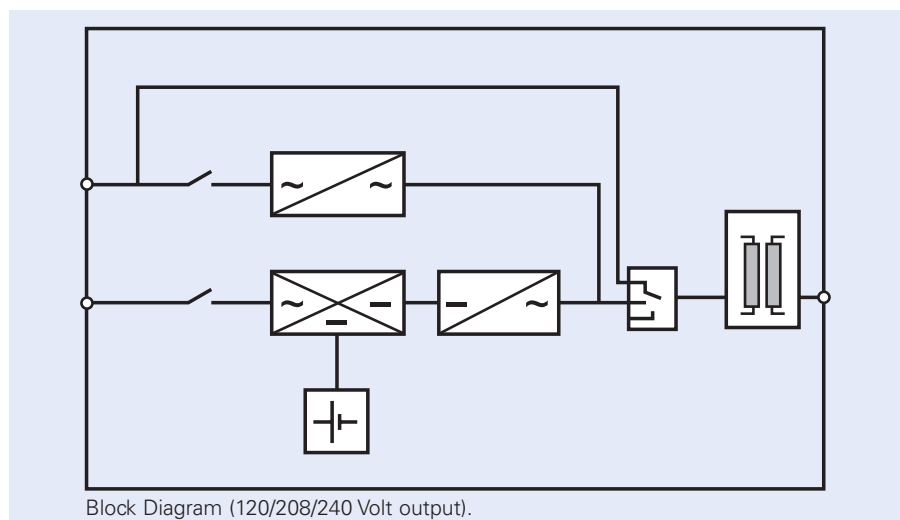
Secure Power Always

Supplying you with a UPS alone will never deliver the level of business continuity you require. Chloride offers a range of maintenance plans which will:

- Help deliver reliability to your load
- Extend the life of your power protection equipment
- Optimise your capital expenditure
- Provide risk management at a fixed cost
- Help to control your business environment
- Generate a proactive approach to disaster recovery.

Contact your local Chloride sales office for more information.

Delegate your power management to the experts.



Block Diagram (120/208/240 Volt output).

Linear Plus-T	6/11	10/11
INPUT		
Number of phases	1	1
Voltage (V)	200/208/220/230/240	
Tolerance (V)	176-276	176-276
Frequency (Hz)	50/60	50/60
Power factor	>0.97	>0.97
Input current distortion (%)	<5	<5
OUTPUT		
Number of phases	1	1
Nominal power rating @ 40°C (kVA)	6	10
Nominal active power rating (kW)	4.2	7
Voltage (V)	120/208/240	120/208/240
Frequency (Hz)	50/60	50/60
Power factor	0.7	0.7
Output current @ 208V (Arms)	28.8	48.1
Output current @ 120V (Arms)	50.0	83.3
Overload 104%	Warning	
105-125%	Transfer to bypass after 60 seconds	
126-150%	Transfer to bypass after 10 seconds	
150-300%	Transfer to bypass after 2 seconds	
Output voltage dynamic variation due to load changes (%)	±2	±2
Output waveform	sinusoidal	sinusoidal
Output harmonic distortion	IEC/EN 62040 - 3 Compliant	
BATTERIES		
Optimum battery temperature (°C)	15-25	
Charging current (A)	1.2	
Number of Batteries	20	
End of discharge voltage (Vdc)	200	
UPS DATA		
Operating temperature (°C)	0 - 40	0 - 40
Colour	RAL 7016	RAL 7016
Max. noise levels at 1 metre (dBA)	<50	<50
AC/AC efficiency (%)	>86	>86
Communication slot	1 for SNMP adapter, Voltage-free contact adapter, LIFE.net adapter	
Standard communication interfaces	1 x RS 232	1 x RS 232
DIMENSIONS		
Height (mm)	800	800
Width (mm)	300	300
Depth (mm)	675	675
UPS weight (kg) (without batt.)	71	101
UPS weight (kg) (with internal batt.)	148	173
Degree of protection	IP 20	
Safety standard	UL-1778C/UL IEC/EN62040-1-1	

This publication is issued to provide outline information only and is not deemed to form any part of any offer and/or contract. The company has a policy of continuous product development and improvement, and we therefore reserve the right to vary any information without prior notice. MK44L0UKLINPT Rev. 2-11/2007

**Chloride UPS Systems HQ
WORLD HEADQUARTERS**

Via Fornace 30
40023 Castel Guelfo (BO)
Italy

T +39 0542 632 111
F +39 0542 632 120
E enquiries@chloridepower.com

CHLORIDE

www.chloridepower.com

Closest Chloride Contact in Australia:
Chloride Power Protection
Ground Floor
16 Giffnock St, North Ryde
NSW 2113
Australia

T +61 2 9888 1266
F +61 2 9888 1966
E australia.sales@chloridepower.com

www.chloridepower.com/au

Closest Chloride Contact in UK:
Chloride Power Protection
George Curl Way
Southampton, Hampshire
SO18 2RY
United Kingdom

T +44 (0) 23 8061 0311
F +44 (0) 23 8061 0852
E uk.enquiries@chloridepower.com

www.chloridepower.co.uk

Closest Chloride Contact in UAE:
Chloride UPS Systems Middle East
Building 5, Office 104
Dubai Internet City - Dubai
UAE
PO Box 72536

T +971 4 391 3205
F +971 4 391 6803
E middleeast.sales@chloridepower.com

www.chloridepower.com/middle-east

Closest Chloride Contact in USA:
Chloride Power Protection
27944 North Bradley Road
Libertyville
IL 60048
USA

T +1 800 239 2257
F +1 800 833 6829
E usa.info@chloridepower.com

www.chloridepower.com/us

For a full list of contacts please visit our website at www.chloridepower.com



Certificate No. EMS 76732 Certificate No. FM 11043